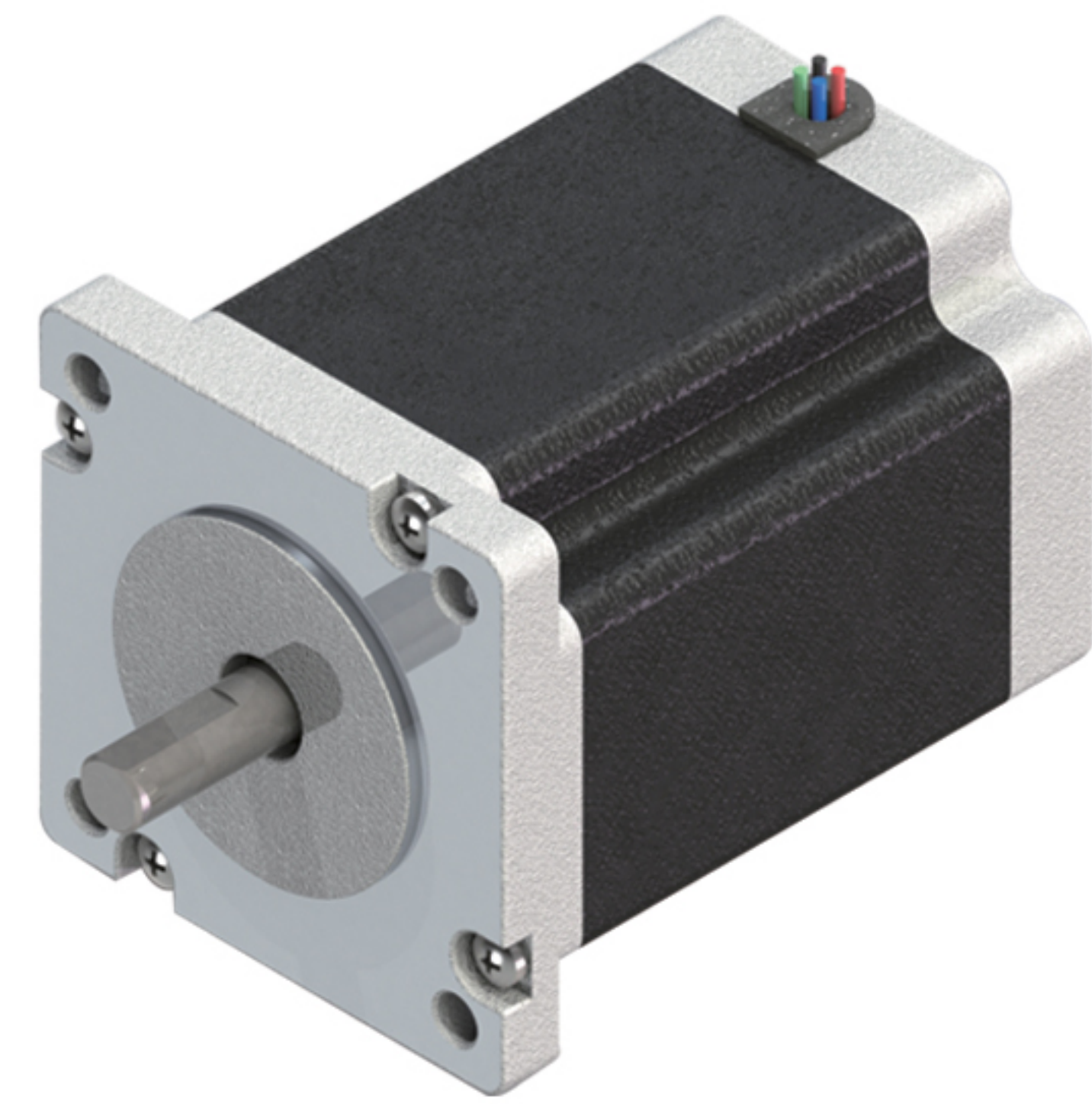


# 60H3F系列步进电机

## 60H3F Series stepping motor

步距角 Step Angle	1.2°
绝缘电阻 Insulation Resistance	500V DC 100MΩ Min
绝缘强度 Dielectric Strength	500V AC 50Hz 2mA 1Minute
环境温度 Ambient Temperature	-20~+40°C
温升 Temperature Rise	80K Max
绝缘等级 Insulation Class	B

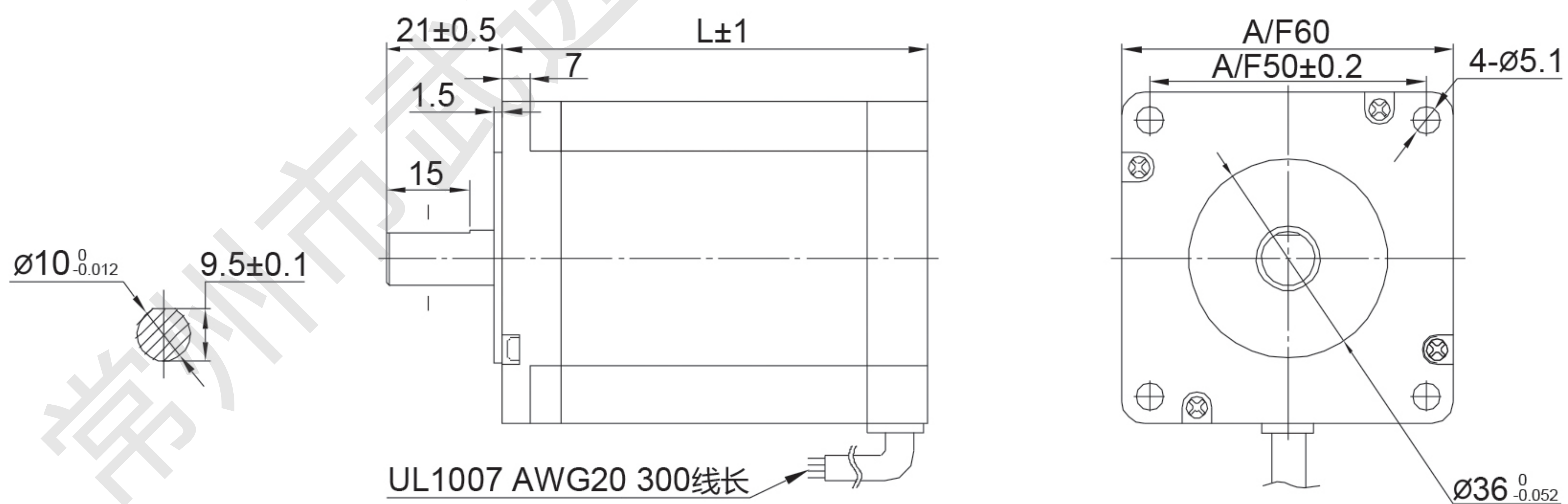


### 产品性能参数(Electrical specification):

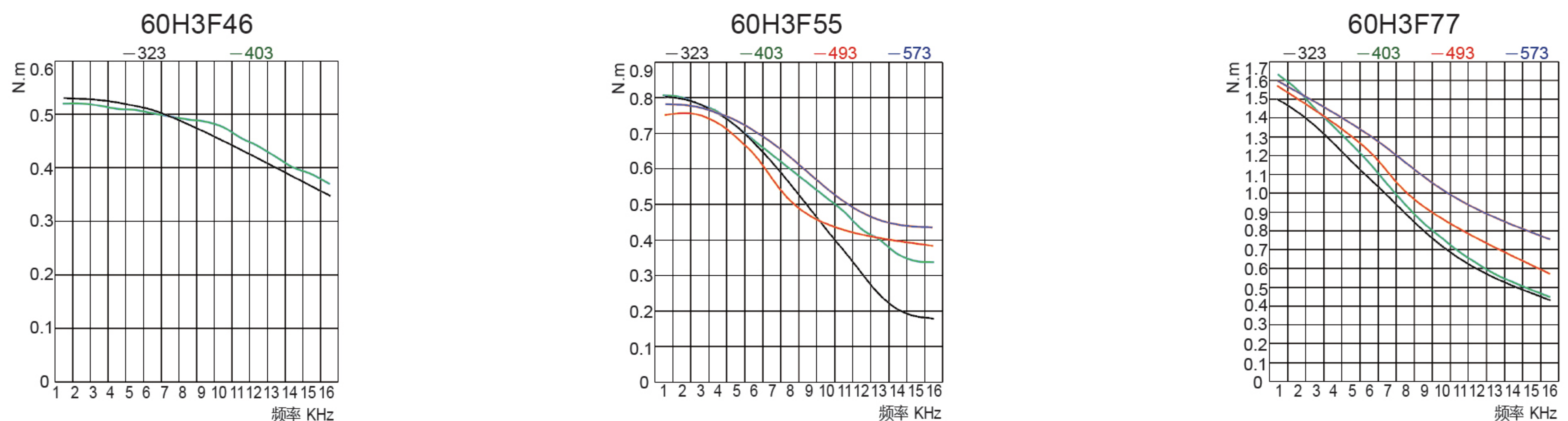
型号	机身长度 mm	额定电压 V	额定电流 Amps	绕组电参数 @20°C Typ.		静力矩		转子惯量		电机质量	
				Ohms	mH	N.m	oz-in	g.cm <sup>2</sup>	oz-in <sup>2</sup>	Kg	Lbs
60H3F46-323	46	4.8	3.2	1.5	2.5	0.7	100	280	1.5	0.65	1.4
60H3F46-403		2.8	4.0	0.7	1.1	0.7	100	280	1.5	0.65	1.4
60H3F55-323	55	5.44	3.2	1.7	5.0	0.9	170	450	2.5	0.85	1.9
60H3F55-403		3.6	4.0	0.9	2.4	0.9	170	450	2.5	0.85	1.9
60H3F55-493		3.43	4.9	0.7	1.8	0.9	170	450	2.5	0.85	1.9
60H3F55-573		2.85	5.7	0.5	1.1	0.9	170	450	2.5	0.85	1.9
60H3F77-323	77	6.4	3.2	2.0	4.2	1.6	210	580	3.2	1.35	3.0
60H3F77-403		5.6	4.0	1.4	3.3	1.6	210	580	3.2	1.35	3.0
60H3F77-493		4.41	4.9	0.9	2.6	1.6	210	580	3.2	1.35	3.0
60H3F77-573		2.85	5.7	0.5	1.4	1.6	210	580	3.2	1.35	3.0

以上产品可根据客户要求定制。  
Above Products can be customized according to customer requirement.

### 外形尺寸 (Dimension):



### 运行矩频特性 (Torque-frequency Characteristic):



注意：装配时，须保证电机轴和负载轴的同心，严禁敲打，以免损坏电机。  
Note: When installing the motor, must ensure that the motor shaft and load shaft concentric, never hit it, so as not to damage the motor.